



Austrian Institute of Construction Engineering
 Schenkenstrasse 4 | T+43 1 533 65 50
 1010 Vienna | Austria | F+43 1 533 64 23
 www.oib.or.at | mail@oib.or.at



European Technical Assessment

ETA-14/0358
 of 07/11/2014

General part

Technical Assessment Body issuing the European Technical Assessment

Österreichisches Institut für Bautechnik (OIB)

Trade name of the construction product

TSV-2000-oA

Product family to which the construction product belongs

Falling rock protection kit

Manufacturer

Trumer Schutzbauten GmbH
 Maria-Bühelstraße 7
 5110 Oberndorf
 Austria

Manufacturing plant

Trumer Schutzbauten GmbH
 Handelsstraße 6
 5162 Obertrum
 Austria

This European Technical Assessment contains

36 pages including Annexes A.1 to A.16 which form an integral part of this assessment

This European Technical Assessment is issued in accordance with Regulation (EU) No 305/2011, on the basis of

Guideline for European technical approval (ETAG) No. 027 Falling rock protection kits, edition February 2008, amended April 2013, used as European Assessment Document (EAD)

This is an English translation, the original version is in German.

Certificate of constancy of performance

1379-CPR-022/14

In compliance with regulation 305/2011/EU of the European Parliament and of the Council of 9th March 2011 (the Construction Products Regulation or CPR), this certificate applies to the construction product

FALLING ROCK PROTECTION KITS

produced by

Trumer Schutzbauten GmbH

Maria-Bühel-Straße 7, 5110 Oberndorf, Austria

and produced in the manufacturing plant

Werk Obertrum

Handelsstraße 6, 5162 Obertrum am See, Austria

This certificate attests that all provisions concerning the assessment and verification of constancy of performance and the performances described in

ETAG 027:2012/Amd:2013

under system 1 are applied and that

the products fulfil all the prescribed requirements set out above.

This certificate was first issued on 2014-12-12 and will remain valid as long as the ETAG and the single ETAs remain valid and the production conditions in the plant or the factory production control itself are not modified significantly, except this certificate is suspended or withdrawn by TVFA-ZERT.

The current validity of the certificate can be taken from the related product register under www.TVFA-ZERT.tugraz.at, which is an integral part of the certificate.

Graz, 2014-12-16



The head of the certification body:



Dipl.-Ing. Dr. E. Eustacchio

Die TVFA ist mit Bescheid des BMWFW-92.716/0082-1/12/2014 vom 2014-06-25 gemäß AkkG 2012 als Zertifizierungsstelle akkreditiert.

Der aktuelle Akkreditierungsumfang ist unter www.TVFA-ZERT.tugraz.at abrufbar.

Die TVFA ist gemäß Beschluss des Universitätsrates der TU Graz vom 2003-12-19 dem Institut für Materialprüfung und Baustofftechnologie angeschlossen. Rechtsträger ist die Technische Universität Graz. Leiter: Univ.-Prof. Dipl.-Ing. Dr.techn. P. Maydl

Adresse: Infeldgasse 24, A-8010 Graz; Tel.: (0316) 873-7160; Fax: (0316) 873-7650; Mail: zertifizierung@tvfa.tugraz.at; Web: www.TVFA-ZERT.tugraz.at
FB-AA QM-Z002-5/1-2/14



This is an English translation, the original version is in German.

**Annex to the
 Certificate of constancy of performance of
 FALLING ROCK PROTECTION KITS
 1379-CPR-022/14**

This certificate covers the constancy of performance of the following products of the producer

Trumer Schutzbauten GmbH
 Maria-Bühel-Straße 7, 5110 Oberndorf, Austria

produced in the manufacturing plant

Werk Obertrum
 Handelsstraße 6, 5162 Obertrum am See, Austria


Trade mark of the kit	European Technical Assessment (ETA)		Declaration of performance *)
	Number	Date	
TS-5000-ZD	ETA-10/0202	23.10.2015	2015-2, 02.11.2015
TSC-3000-ZD	ETA-11/0227	24.10.2011	2014-5, 25.11.2014
TSC-2000-ZD	ETA-11/0228	27.10.2011	2014-6, 25.11.2014
TSC-1500-ZD	ETA-11-0225	27.10.2011	2014-7, 25.11.2014
TSC-1000-ZD	ETA-11/0226	24.10.2011	2014-8, 25.11.2014
TSC-500-ZD h4	ETA-12/0116	09.05.2012	2014-9, 25.11.2014
TSC-500-ZD	ETA-12/0117	09.05.2012	2014-10, 25.11.2014
TSC-250-ZD	ETA-12/0204	08.10.2012	2014-11, 25.11.2014
TSC-100-ZD	ETA-12/0156	08.10.2012	2014-12, 25.11.2014
TSV-1000-oA	ETA-13/0690	29.06.2013	2014-13, 25.11.2014
TSV-500-oA	ETA-14/0272	07.11.2014	2014-2, 14.11.2014
TSV-2000-ZD h4	ETA-14/0357	07.11.2014	2014-1, 14.11.2014
TSV-2000-oA	ETA-14/0358	07.11.2014	2014-3, 14.11.2014
TSC-100-oA	ETA-14/0472	18.05.2015	2015-1, 01.06.2015

*) The declared product characteristics can be taken from the declaration of performance.

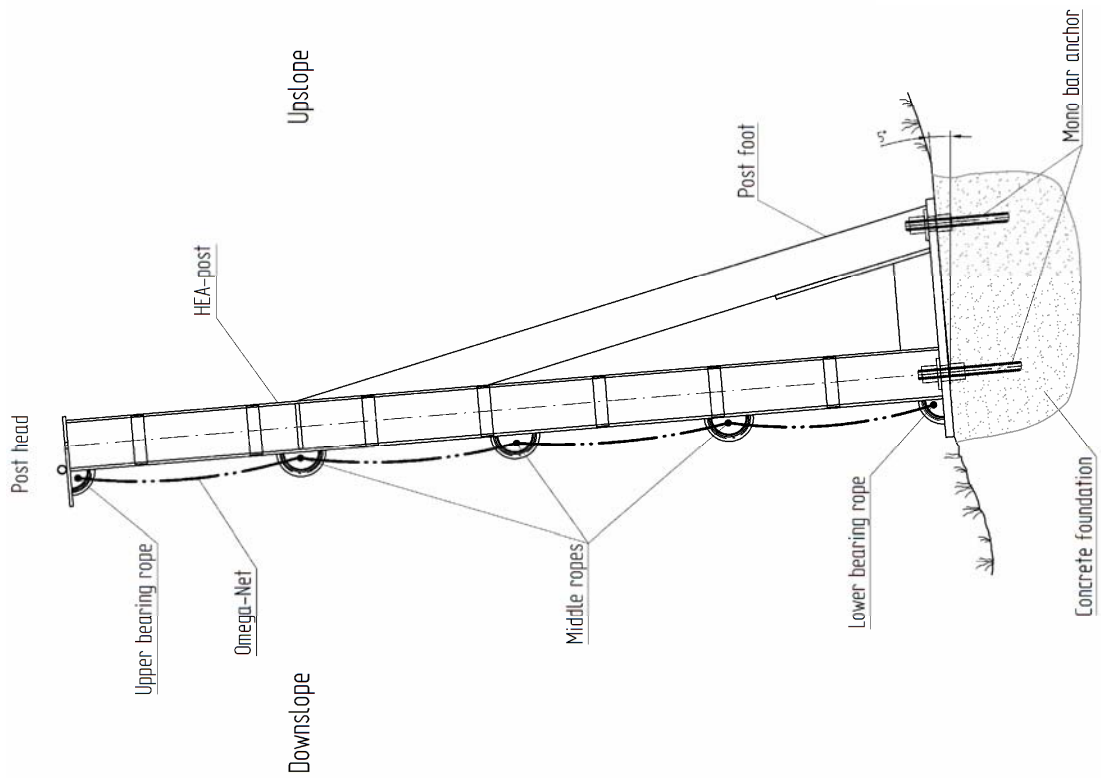
Graz, 2015-11-02



The certifier and
 head of the certification body:


 Dipl.-Ing. Dr. E. Eustacchio

Rockfall protection system TSV-2000-oA - Lateral View



- Tested with 2270 kJ
- Fixed base plate
- Without upslope retaining ropes
- Bearing and middle ropes
- Brake elements on bearing and middle ropes
- Omega-Net

Rockfall protection system TSV-2000-oA - Frontal View

